

1

2

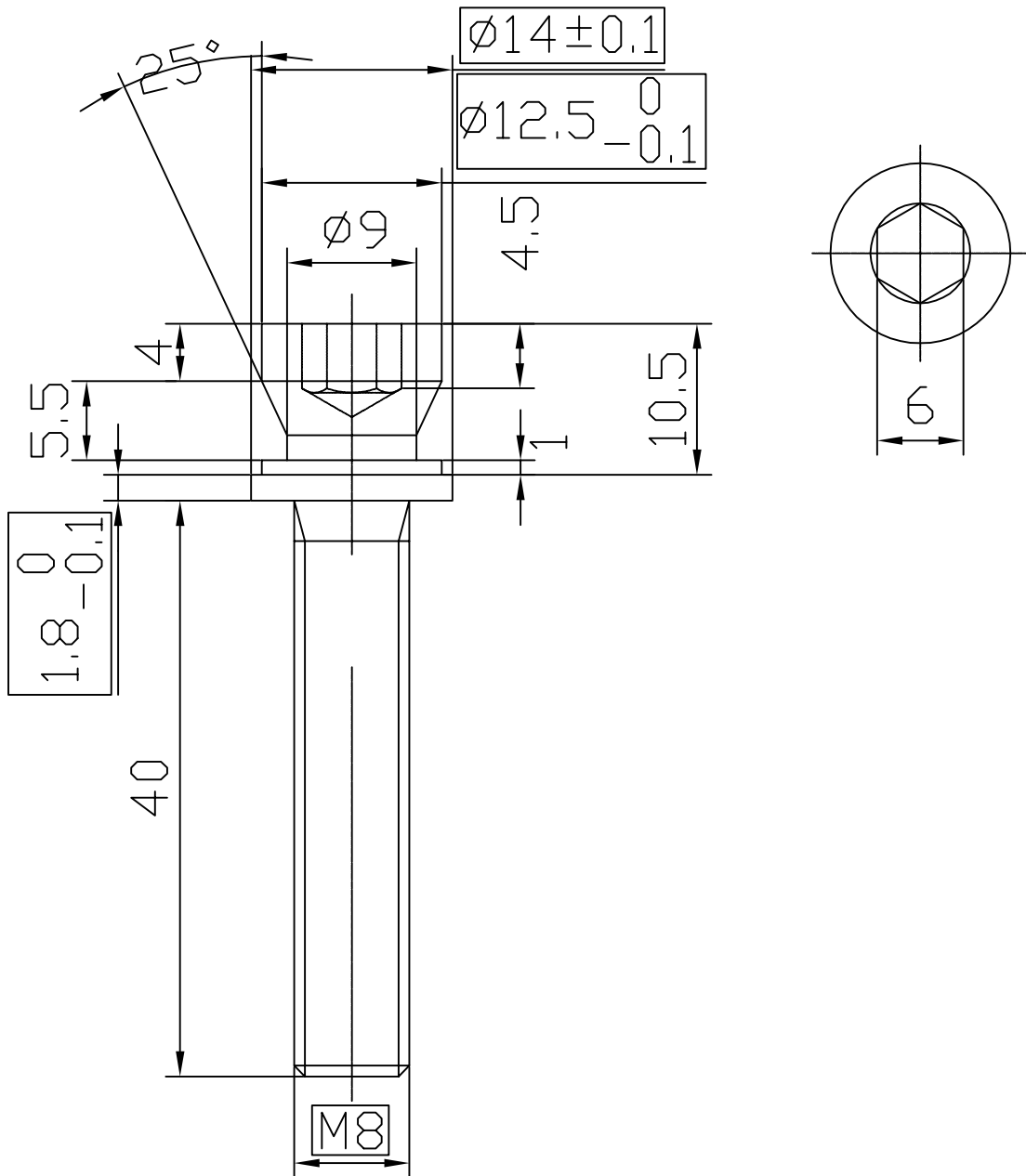
3

4

All rights reserved. The copyright (§ 2 Nr.7 UrhG v. 9.9.1965) of this drawing and all relevant documents remain property of Confurn Metall. Without written permission any reproduction in whole or in part is strictly prohibited. This drawing may not be passed on to others especially not to competitors without written permission of Confurn Metall. Any illegal use of this drawing will be prosecuted.

XXX Check Dim

Confurn Metall, 32549 Bad Oeynhausen



Surface:



Metall

Project

Dimension . / .

Weight

Material name

Date Name

Resp 03.11.08 FC

Check 03.11.08 VH

SCREW

Non-toleranced dimensions: DIN 7168-n

Tolerances

0.5-3 3-6 6-30 30-120 120-400

+/-0.1 +/-0.1 +/-0.2 +/-0.3 +/-0.5

DRAWING-NO.

19014.A

ARTICLE-NO.

19014.0000

Pos Changes (ECN) Date Name

1

2

3

4