

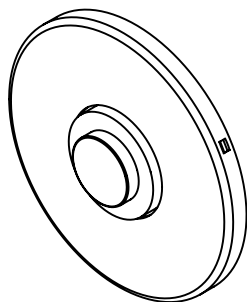
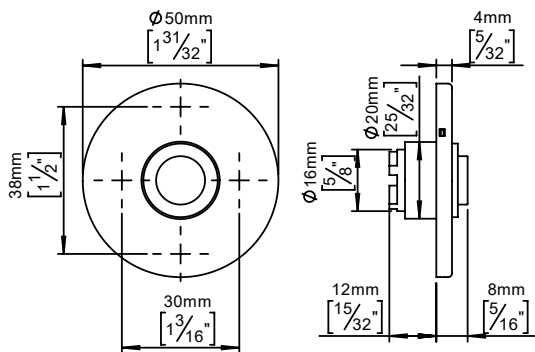
Round door bell

Knud Holscher collection

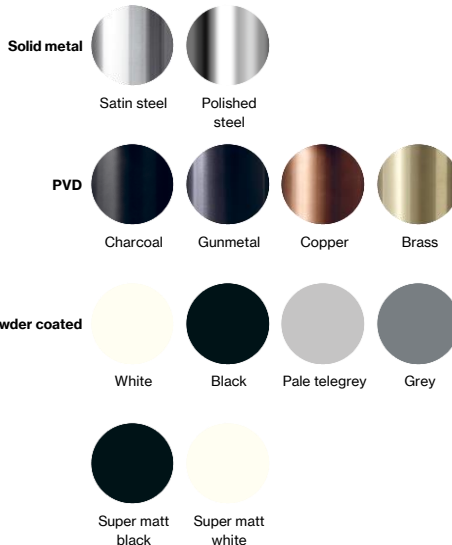
Product Ø50, w/o illumination.

Tender text Knud Holscher collection, bell push, Ø50mm, w/o illumination. Manufactured in the highest quality marine grade, AISI 316 stainless steel, protecting against high levels of corrosion. 20-year warranty.

Product specification Dimension: 50x50x11mm
 Diameter: Ø50mm
 Material: stainless steel AISI 316
 Surface finish: satin grain 320, crafted by hand
[20-year warranty \(5 years for coated items\)](#)



Available finishes



Spare parts/ accessories 14976002106 - Cover cap
 14976002120 - Loose wall bracket
 14970100052 - Grub screw M4x3mm
 P 402 - Screws and plugs

Mounting <https://dline.com/mounting-instructions/>

Product care
 d line products are produced in the highest quality marine grade AISI 316 stainless steel. To sustain the unique d line finish please follow the below instructions:
 • Wash down the surfaces using soapy water or mild detergent
 • Always thoroughly rinse off with clean water
 • To complete the cleaning procedure dry/polish the surface with a soft dry cloth
 Please do not use scouring powder, steel wool, chloride based detergents or other aggressive cleaning products as these may damage the surface.
 If spots or corrosion appear on the surface it is not due to the stainless steel quality, but to impurities in the environment, aggressive conditions or improper or insufficient cleaning.