

# Lever handle

## Classic collection

**Product**

Solid rose, cc 38mm.

**Tender text**

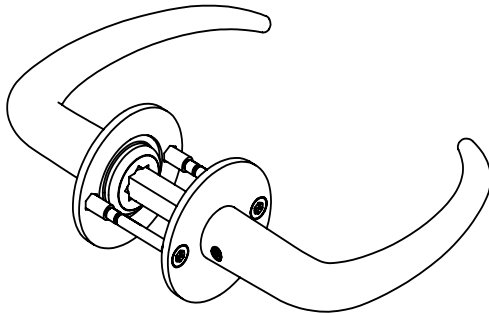
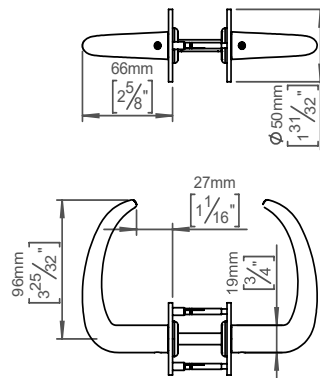
Classic collection, lever handle Coupé pair, 8x8mm, solid rose, cc 38mm, 33-59mm in satin finished AISI 304 stainless steel. Certified in accordance with EN 1906 to 47-B1140U. Fire tested in accordance with EN 1634. 20-year warranty.

**Product specification**

Dimensions: 121x50x66mm

Material: stainless steel AISI 304

Surface finish: satin finished

[20-year warranty \(5 years for coated items\)](#)

**Available finishes**

Solid metal



Satin steel

**Spare parts/ accessories**

14970102019 - Grub screw M5x8,3mm  
 14296174107 - Sectioned bolt set M4x10mm with bush  
 14285092092 - Spindle for door 33-59mm  
 14976700105 - TX10 tool kit

**Mounting**
<https://dline.com/mounting-instructions/>
**Product care**

d line products are produced in the highest quality AISI 304 stainless steel. To sustain the unique d line finish please follow the below instructions:

- Wash down the surfaces using soapy water or mild detergent
- Always thoroughly rinse off with clean water

• To complete the cleaning procedure dry/polish the surface with a soft dry cloth  
 Please do not use scouring powder, steel wool, chloride based detergents or other aggressive cleaning products as these may damage the surface.

If spots or corrosion appear on the surface it is not due to the stainless steel quality, but to impurities in the environment, aggressive conditions or improper or insufficient cleaning.