

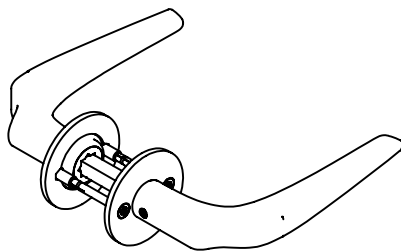
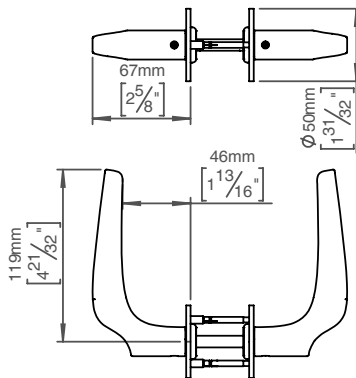
Lever handle - Brass

PLH collection

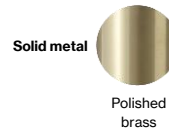
Product Solid rose, cc 30mm, 33-59mm, brass.

Tender text PLH collection, lever handle PLH pair, 8x8mm, solid rose, cc 38mm, 33-59mm in polished brass. Certified in accordance with EN 1906 to 47-B1140U. 20-year warranty.

Product specification Dimensions: 144x50x67mm
Material: brass
Surface finish: polished
[20-year warranty \(5 years for coated items\)](#)



Available finishes



Spare parts/ accessories 14970102019 - Grub screw M5x8,3mm
P 70P - Sectioned bolt set M4x110mm with bush
14285092092 - Spindle for door 33-59mm
14976700105 - TX10 tool kit

Mounting <https://dline.com/mounting-instructions/>

Product care

d line products are produced in the highest quality brass. To sustain the unique d line finish please follow the below instructions:

- Wash down the surfaces using soapy water or mild detergent
- Always thoroughly rinse off with clean water
- To complete the cleaning procedure dry/polish the surface with a soft dry cloth

Please do not use scouring powder, steel wool, chloride based detergents or other aggressive cleaning products as these may damage the surface.

If spots or corrosion appear on the surface it is not due to the stainless steel quality, but to impurities in the environment, aggressive conditions or improper or insufficient cleaning.