

# Waste bin f/ touchless paper dispenser

## Knud Holscher collection

### Product

Small.

### Tender text

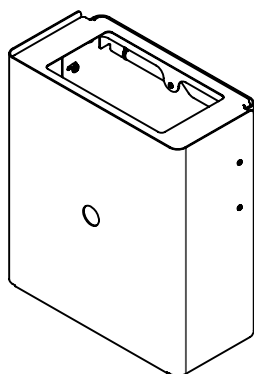
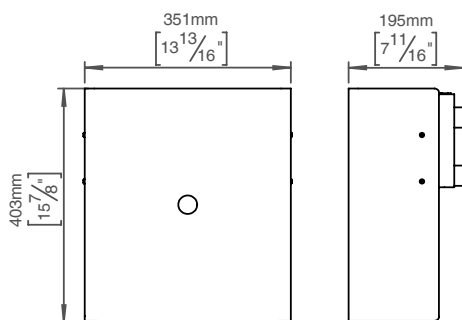
Knud Holscher collection, waste bin, small, w/ lid, 20L, self-tapping screws included. Manufactured in the highest quality marine grade, AISI 316 stainless steel, protecting against high levels of corrosion. 5-year warranty.

### Product specification

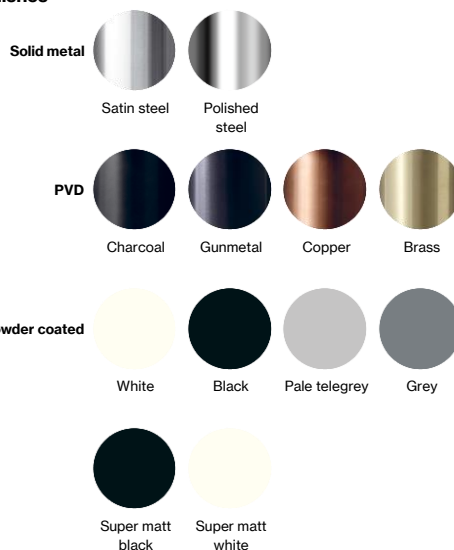
Dimensions: 351x400x195mm

Volume: 20L

Material: stainless steel AISI 316

Surface finish: satin grain 320, crafted by hand  
[5-year warranty \(5 years for coated items\)](#)

### Available finishes



### Spare parts/ accessories

P 453 - Ø4,5x70/plug 8x40,set of 3 pcs  
14983400361 - Drill template: waste bin small  
14709700001 - Plastic bags, 30L, 1 pack  
P 7080 - Wall mounted spacers, small

### Mounting

<https://dline.com/mounting-instructions/>

### Product care

d line products are produced in the highest quality marine grade AISI 316 stainless steel. To sustain the unique d line finish please follow the below instructions:

- Wash down the surfaces using soapy water or mild detergent
- Always thoroughly rinse off with clean water
- To complete the cleaning procedure dry/polish the surface with a soft dry cloth

Please do not use scouring powder, steel wool, chloride based detergents or other aggressive cleaning products as these may damage the surface.

If spots or corrosion appear on the surface it is not due to the stainless steel quality, but to impurities in the environment, aggressive conditions or improper or insufficient cleaning.