

Waste bin f/ touchless paper dispenser

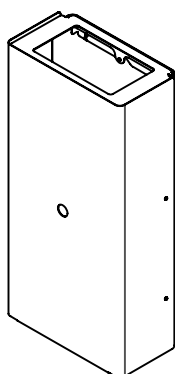
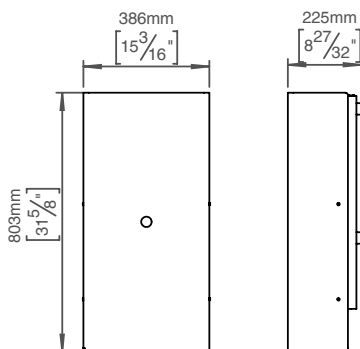
Knud Holscher collection



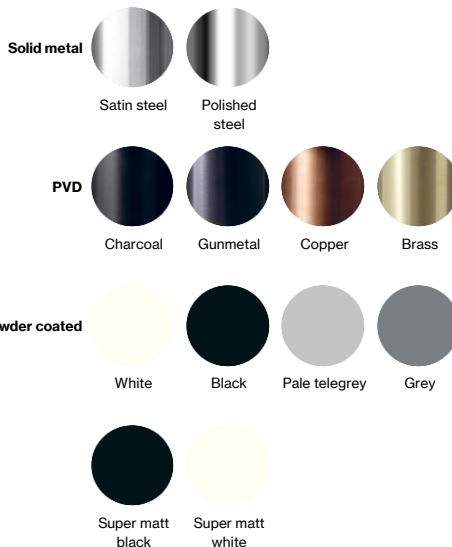
Product Large.

Tender text Knud Holscher collection, waste bin, large, w/ lid, 60L, self-tapping screws included. Manufactured in the highest quality marine grade, AISI 316 stainless steel, protecting against high levels of corrosion. 5-year warranty.

Product specification Dimensions: 386x800x225mm
 Volume: 60L
 Material: stainless steel AISI 316
 Surface finish: satin grain 320, crafted by hand
[5-year warranty \(5 years for coated items\)](#)



Available finishes



Spare parts/ accessories P 453 - Ø4,5x70/plug 8x40,set of 3 pcs
 14983400362 - Drill template: waste bin M/L
 14709700002 - Plastic bags, 80L, 1 pack
 P 7081 - Wall mounted spacers, small

Mounting <https://dline.com/mounting-instructions/>

Product care
 d line products are produced in the highest quality marine grade AISI 316 stainless steel. To sustain the unique d line finish please follow the below instructions:
 • Wash down the surfaces using soapy water or mild detergent
 • Always thoroughly rinse off with clean water
 • To complete the cleaning procedure dry/polish the surface with a soft dry cloth
 Please do not use scouring powder, steel wool, chloride based detergents or other aggressive cleaning products as these may damage the surface.
 If spots or corrosion appear on the surface it is not due to the stainless steel quality, but to impurities in the environment, aggressive conditions or improper or insufficient cleaning.