

Sanitary panel H

Knud Holscher collection



Product

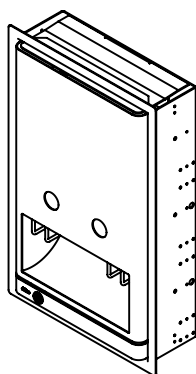
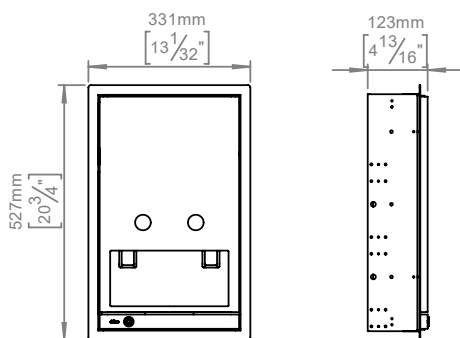
H, module, size 3.

Tender text

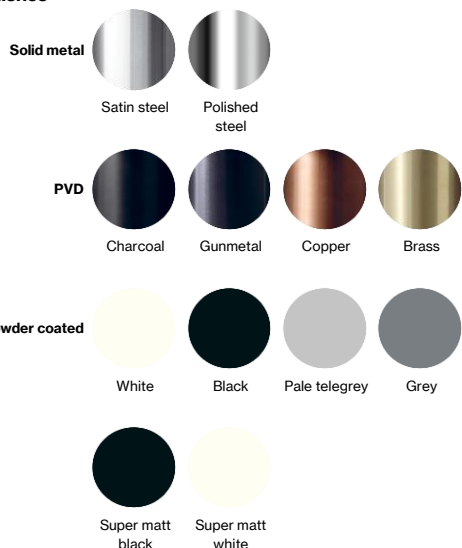
Knud Holscher collection, sanitary panel, H, modulesize 3, recessed. Manufactured in the highest quality marine grade, AISI 316 stainless steel, protecting against high levels of corrosion. 5-year warranty.

Product specification

Dimensions: 527x331x121mm
 Material: stainless steel AISI 316
 Surface finish: satin grain 320, crafted by hand
[5-year warranty \(5 years for coated items\)](#)
 Towels: C, Z, Multi- and Interfold (minimum 230x80 is recommended)
 Magazine: 260x350x105mm
 Capacity: approx. 350 pcs. 2 layer interfold



Available finishes



Spare parts/ accessories

Mounting

<https://dline.com/mounting-instructions/>

Product care

d line products are produced in the highest quality marine grade AISI 316 stainless steel. To sustain the unique d line finish please follow the below instructions:
 • Wash down the surfaces using soapy water or mild detergent
 • Always thoroughly rinse off with clean water
 • To complete the cleaning procedure dry/polish the surface with a soft dry cloth
 Please do not use scouring powder, steel wool, chloride based detergents or other aggressive cleaning products as these may damage the surface.
 If spots or corrosion appear on the surface it is not due to the stainless steel quality, but to impurities in the environment, aggressive conditions or improper or insufficient cleaning.