

# Toilet roll holder f/ barrier-free grab rail

## Knud Holscher collection

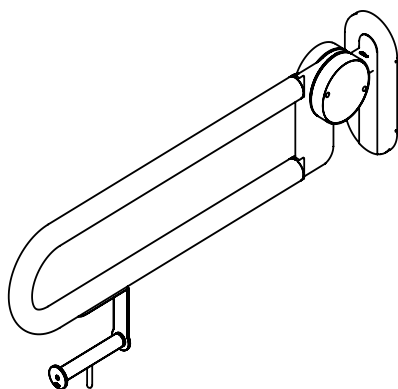
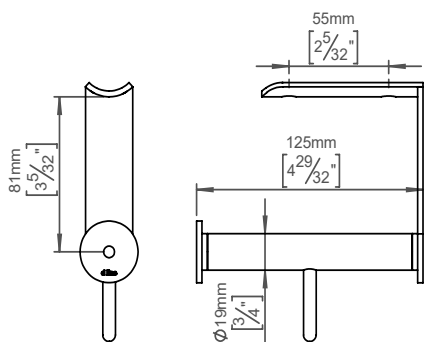
**Product** w/pin.

**Tender text**

Knud Holscher collection, toilet Roll Holder, f/ barrier free grab rail, with pin. Manufactured in the highest quality marine grade, AISI 316 stainless steel, protecting against high levels of corrosion. 20-year warranty.

**Product specification**

Dimensions: 32x134,4x125mm  
 Material: stainless steel AISI 316  
 Surface finish: glass blasted  
[20-year warranty \(5 years for coated items\)](#)



**Available finishes**

<b>Solid metal</b>	
	Glass blasted steel
<b>PVD</b>	
	Charcoal Gunmetal Copper Brass
<b>Powder coated</b>	
	White Black Pale telegrey Grey
	Super matt black Super matt white

**Spare parts/ accessories**

**Mounting** <https://dline.com/mounting-instructions/>

**Product care**

d line products are produced in the highest quality marine grade AISI 316 stainless steel. To sustain the unique d line finish please follow the below instructions:

- Wash down the surfaces using soapy water or mild detergent
- Always thoroughly rinse off with clean water
- To complete the cleaning procedure dry/polish the surface with a soft dry cloth

Please do not use scouring powder, steel wool, chloride based detergents or other aggressive cleaning products as these may damage the surface.

If spots or corrosion appear on the surface it is not due to the stainless steel quality, but to impurities in the environment, aggressive conditions or improper or insufficient cleaning.