

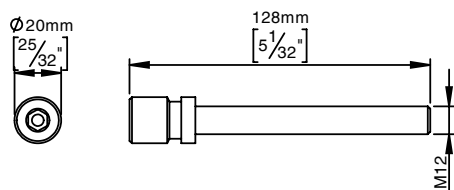
# Bush head bolt f/ pull handle

## Knud Holscher collection

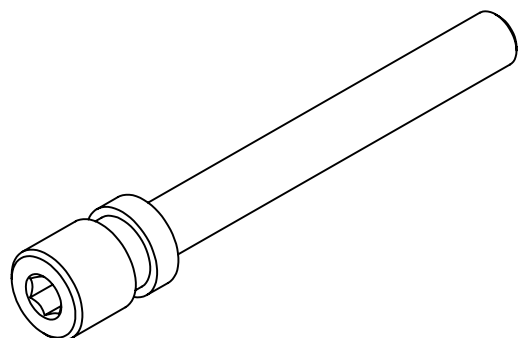
**Product** M12x100mm, f/Ø32/38mm pull handles.

**Tender text** Knud Holscher collection, bush head bolt, M12x100mm, for Ø32/38mm pull handle in satin finished AISI 304 stainless steel. 20-year warranty.

**Product specification** Dimensions: 128x20x20mm  
 Diameter: Ø20mm  
 Material: AISI 304  
 Surface finish: satin grain 320, crafted by hand  
[20-year warranty \(5 years for coated items\)](#)



### Available finishes



### Spare parts/ accessories

**Mounting** <https://dline.com/mounting-instructions/>

### Product care

d line products are produced in the highest quality AISI 304 stainless steel. To sustain the unique d line finish please follow the below instructions:

- Wash down the surfaces using soapy water or mild detergent
- Always thoroughly rinse off with clean water
- To complete the cleaning procedure dry/polish the surface with a soft dry cloth

Please do not use scouring powder, steel wool, chloride based detergents or other aggressive cleaning products as these may damage the surface.

If spots or corrosion appear on the surface it is not due to the stainless steel quality, but to impurities in the environment, aggressive conditions or improper or insufficient cleaning.