

Door closer advanced sliding channel

Knud Holscher collection

Product

TS 92 G EN 1-4.

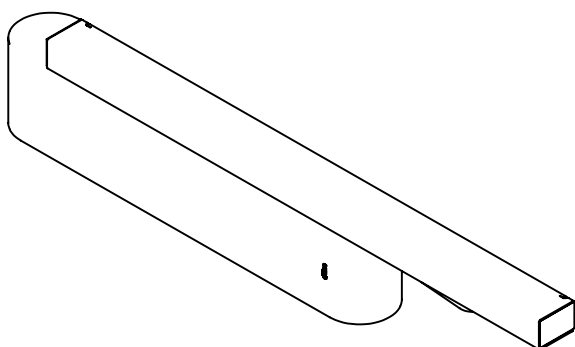
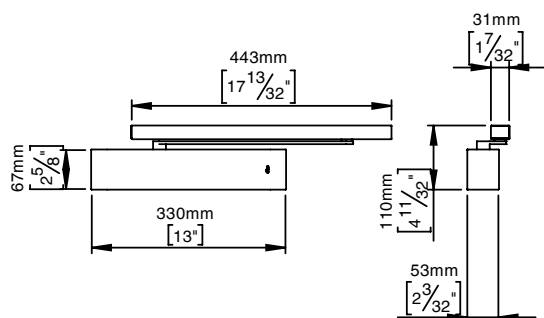
Tender text

Knud Holscher collection, door closer TS 92G, EN 1-4, cam action, self-tapping screws included. Manufactured in the highest quality marine grade, AISI 316 stainless steel, protecting against high levels of corrosion. Certified in accordance with EN 1154 Fire tested in accordance with EN 1634. 20-year warranty.

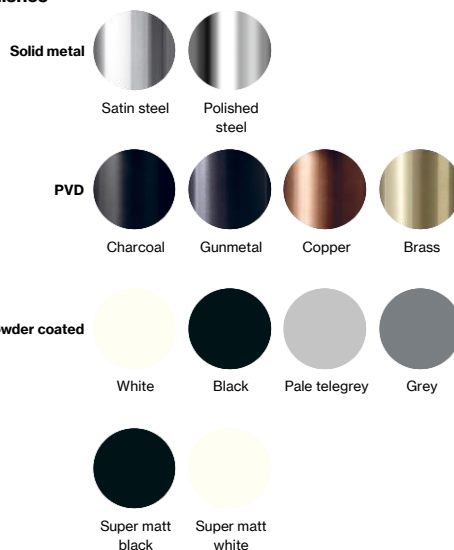


Product specification

Dimensions: 299x70x54mm
 Strength: EN 1-4
 Back-check: N/A
 Closing speed: adjustable at 180° - 15°
 Latching action: adjustable
 Material: stainless steel AISI 316
 Surface finish: satin grain 320, crafted by hand
[20-year warranty \(5 years for coated items\)](#)
[2-year mechanism warranty](#)



Available finishes



Spare parts/ accessories

Mounting

<https://dline.com/mounting-instructions/>

Product care

d line products are produced in the highest quality marine grade AISI 316 stainless steel. To sustain the unique d line finish please follow the below instructions:

- Wash down the surfaces using soapy water or mild detergent
- Always thoroughly rinse off with clean water
- To complete the cleaning procedure dry/polish the surface with a soft dry cloth

Please do not use scouring powder, steel wool, chloride based detergents or other aggressive cleaning products as these may damage the surface.

If spots or corrosion appear on the surface it is not due to the stainless steel quality, but to impurities in the environment, aggressive conditions or improper or insufficient cleaning.