

Soap dispenser

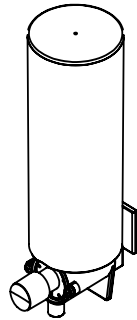
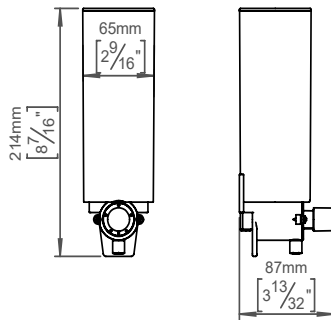
Knud Holscher collection



Product Pump insert f/Ø85 soap dispenser, f/liquid soap & lotion, plastic.

Tender text Knud Holscher collection, soap Container f/Ø85mm, f/liquid soap & lotion in plastic. Not for use with ethanol-based disinfectants. 2-year warranty

Product specification Dimensions: 14x160x74mm
Material: Plastic
Capacity: 350 ml
Viscosity: 70-100 cP.
[2-year warranty](#)



Available finishes

Spare parts/ accessories

Mounting <https://dline.com/mounting-instructions/>

Product care

d line products are produced in the highest quality marine grade AISI 316 stainless steel. To sustain the unique d line finish please follow the below instructions:

- Wash down the surfaces using soapy water or mild detergent
- Always thoroughly rinse off with clean water
- To complete the cleaning procedure dry/polish the surface with a soft dry cloth

Please do not use scouring powder, steel wool, chloride based detergents or other aggressive cleaning products as these may damage the surface.

If spots or corrosion appear on the surface it is not due to the stainless steel quality, but to impurities in the environment, aggressive conditions or improper or insufficient cleaning.