

# Toilet roll holder

Knud Holscher Collection

d line

## PRODUCT DATA SHEET

| ITEM NUMBER    | SURFACE                  |
|----------------|--------------------------|
| 14.5016.02.001 | Satin Stainless Steel    |
| 16.5016.01.008 | Polished stainless steel |

**PRODUCT**  
Bell push, Ø50mm, Satin finish

### PICTURE



### TENDER TEXT

Bell push. Outstanding classic danish design by Knud Holscher. Material: stainless steel AISI 316 satin finish, black button,. Radius: Ø50. W:50 mm x H:50 mm x D:11 mm.

### PRODUCT SPECIFICATION

Dimensions: W:50 mm x H:50 mm x D:11 mm.

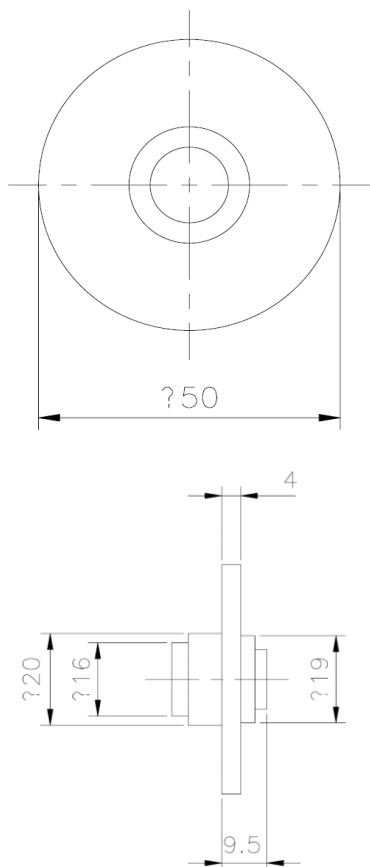
Radius:Ø50

Material: stainless steel AISI 316

Surface finish: satin grain 320, crafted by hand

Warranty for stainless steel (non movable ) parts - 20 years

### DRAWING



### SPARE PARTS / ACCESSORIES:

|                |                               |
|----------------|-------------------------------|
| 14.9760.02.106 | Cover cap                     |
| 14.9760.02.120 | Loose wall bracket blasted SS |
| 14.9701.00.052 | Grubscrew M4x3mm              |
| P0.0000.00.402 | Screws and plugs              |

### MOUNTING:

See instruction supplied with the product

### PACKING:

1pcs in a bag, 25 pcs per box

### PRODUCT CARE

d line products are produced in the highest quality stainless steel, marine grade, AISI 316. To sustain the unique d line finish appearance please follow the below instructions:

- Wash down the surfaces using soapy water or mild detergent
- Always thoroughly rinse off with clean water
- To complete the cleaning procedure dry/polish the surfaces with a soft dry cloth

Please do not use scouring powder, steel wool, chloride based detergents or other aggressive cleaning products as these may damage the surface.

If spots or corrosion appear on the surface it is not due to the stainless steel quality, but to impurities in the environment, aggressive conditions or improper or insufficient cleaning.