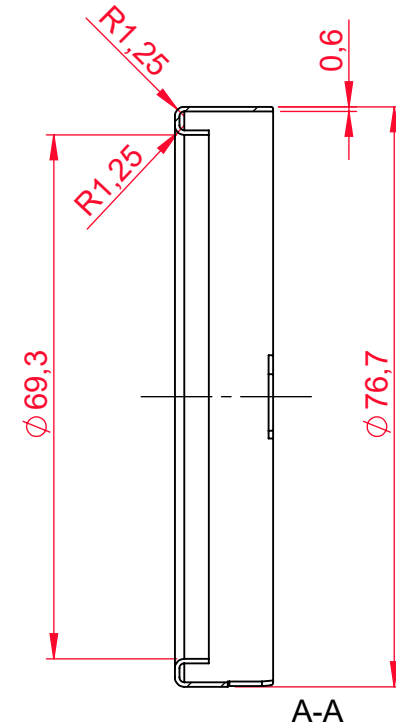
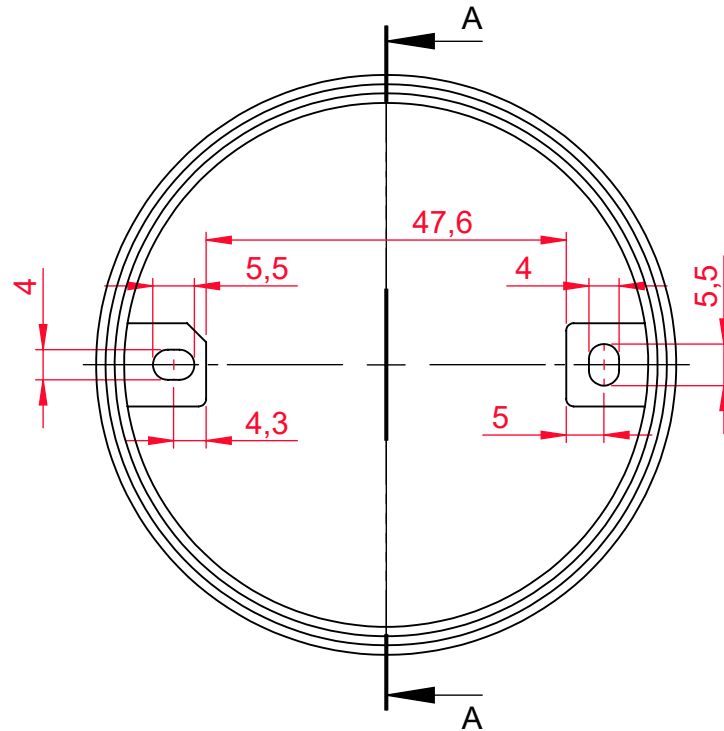
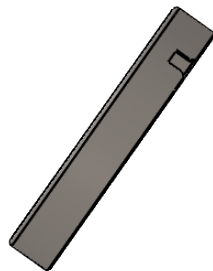




Sichtfläche Edelstahl-Optik lackiert /
visible surface stainless-steel painted



M 1 : 2



Pr. 02665		UNLESS OTHERWISE SPECIFIED: DIMENSIONS ARE IN MILLIMETERS SURFACE FINISH: TOLERANCES: LINEAR: ANGULAR:		ALUMINIUM MOULDINGS: TOLERANCES AND ACCEPTANCE CONDITIONS FOR LINEAR DIMENSIONS DIN EN 573-3 / DIN EN 755-9		SCALE: 1:1	EDV NR. 3623609
						MATERIAL: ST12 - stainless steel painted	
						TITLE: Anbaudose LED EcoPower L Einbaudurchmesser / installation diameter Ø68	
				PART NUMBER: 36.236.09			
				DRAWINGS STATUS: ONLY FOR INQUIRY FOR ORDER			
Pos.	REVISION	DATE	NAME			SHEET 1 OF 1	

DETAIL	DATE	NAME
APROV.	09.08.2016	Matyssek
PROJ.		
		
PART NUMBER: 36.236.09		
DRAWINGS STATUS: ONLY FOR INQUIRY FOR ORDER		