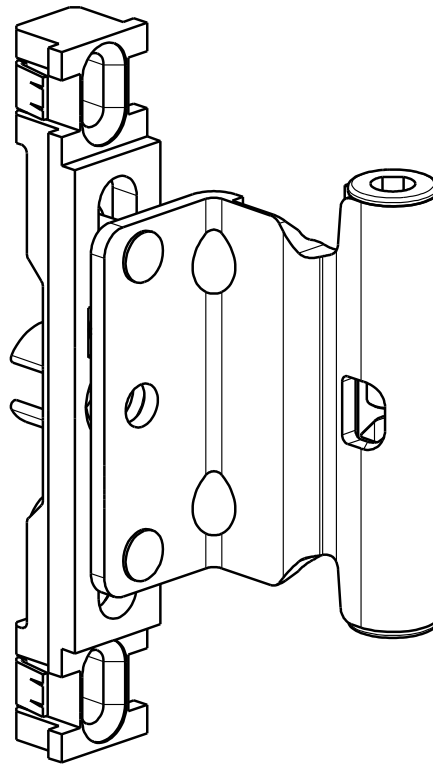


Proprietary rights apply in accordance with ISO 16016.



-
-
-
-
-

Description  
**Mittelband UNI-JET D + S NL13 AM 13,5**  
 -  
**Centre closure UNI-JET D + S Axis 13 B 13,5**

	Release No.	Level	Released		Scale	Modification	Size
	--	Ver.	--	--			
	Mod. No.	Draft	13.06.2014	Kp		Drawing No.	Sheet
	--	Replacement for --				<b>6-36842-18-0</b>	1/1