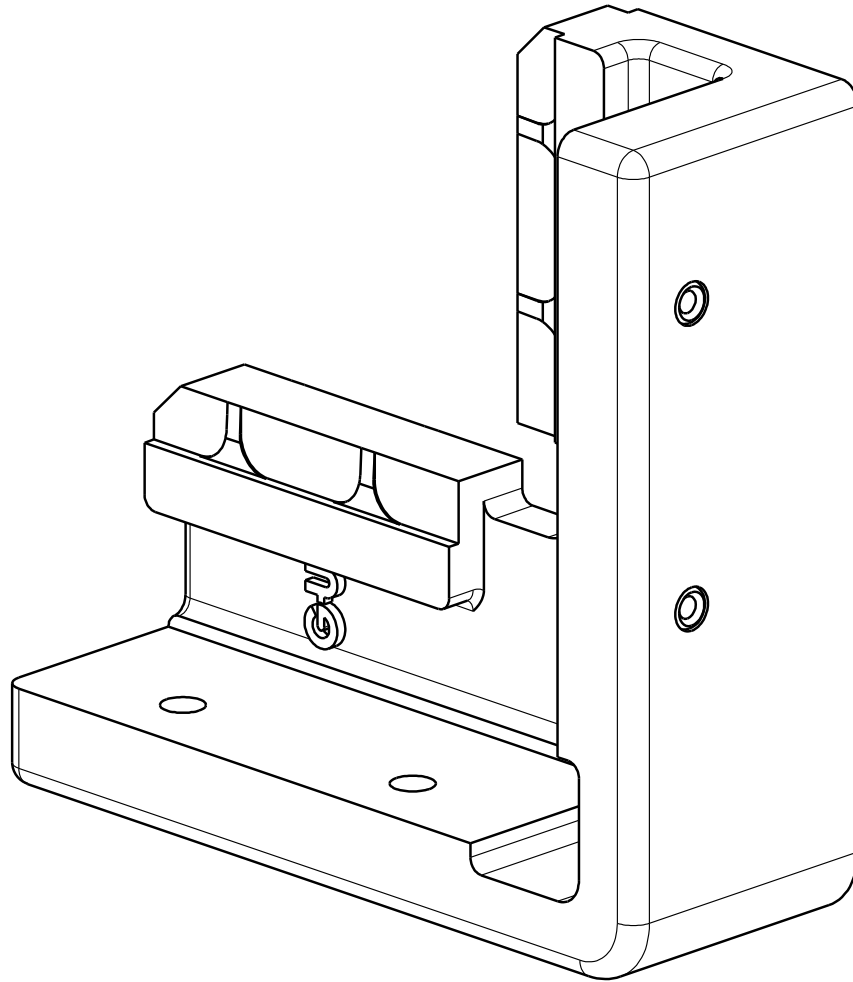


Proprietary rights apply in accordance with ISO 16016.




-
-
-
-
-

Description

Bohrlehre Falzecklagerband UNI-JET S

Drilling jig rebate corner hinge UNI-JET S

	Release No.	Level	Released		Scale	Modification	Size
	--	Ver.	--	--			
	Mod. No.	Draft	26.06.2014	Kp	Drawing No.		Sheet
	--	Replacement for --			6-37433-13-0		1/1