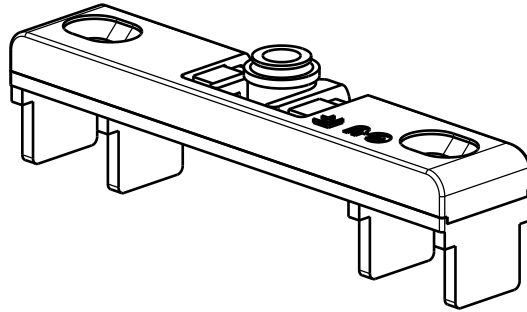



Proprietary rights apply in accordance with ISO 16016.



-
-
-
-
-

Description
Türschnäpper

--
--

	Release No. --	Level	Released		Scale 1:1	Modification 1	Size 4
	Mod. No. --	Ver.	--	--		Drawing No. K-17228-00-0	Sheet
	Replacement for --	Draft	27.10.2014	Mj			1/1